

# Low Discharge Feed Hopper

A PRODUCT OF THE MATERIAL HANDLING EQUIPMENT FAMILY

Peerless offers heavy duty belt feeders for the mining, aggregate and construction industries. From standard pre-engineered to one-of-a-kind solutions, we have the experience to solve your unique needs.

Material handling equipment with feed hoppers attached to the tail of a conveyor is typically used for loading trucks or plants. The low discharge feed hopper is a reliable method for conveying materials up to 3" top size or smaller. It's capable of up to 400TPH.

## Screen materials

- Rock
- Sand and gravel
- Coal
- Clinker or raw materials at a cement plant
- Truck loading
- Plant loading
- Rail car loading
- Granular soils
- Other non-compacting bulk materials

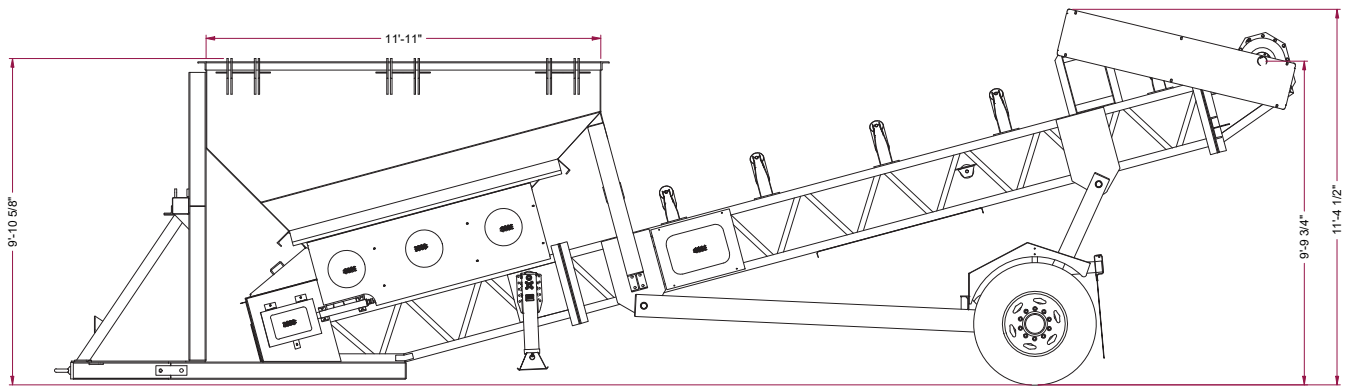
## Benefits

- Rugged, portable design
- Wide target
- Mechanical gate control
- Well-suited for materials less than 3"



Custom Solutions to Unique Challenges

## LOW DISCHARGE FEED HOPPER



### Standard Specifications

- 1/4" steel 12' x 7' hopper with 13 cubic yards / 18 ton capacity
- 36" wide x 30' long belt feeder conveyor with a discharge height of 9'-9"
- Up to 400 TPH capacity
- 15HP, 1800 RPM 3 phase electric motor with a Dodge torque arm reducer
- 16" diameter, 3/8" herringbone rubber lagged head pulley and 14" diameter wing type tail pulley
- 1045 shafts turned and polished
- Dodge SCM pillow block bearings
- Manual screw type belt take-ups
- 3 ply 3/16" x 1/16" conveyor belt with Flexco belt splice
- CEMA C 5" diameter idlers on 5' spacings
- Heavy duty truss type frame

- Estimated weight 12,276 lbs.
- Complete feed hopper is primed and painted Peerless Tan

### Optional Equipment

- Hopper extensions
- Manual grizzly
- Hydraulic operated grizzly
- Electrical switchgear with fixed speed drives or variable frequency drives (VFD)

Contact us at (913) 233-3854 or [sales@peerlessemc.com](mailto:sales@peerlessemc.com) to get started.



### ABOUT PEERLESS

Peerless solves unique challenges for our customers by supplying material processing and handling equipment—including quarry, asphalt, aggregate, frac sand, and mining. Peerless designs a variety of stock and custom products, ensuring consistent delivery of engineered solutions. Experienced and innovative, the Peerless team is focused on quality and listening to customers' specific needs.

© 2019 Peerless Engineering and Manufacturing Co.

[www.peerlessemc.com](http://www.peerlessemc.com)

Kansas City office (913) 233-3854  
Request a quote (816) 381-0635  
[sales@peerlessemc.com](mailto:sales@peerlessemc.com)

Peerless Engineering and Manufacturing Company