

Skid Mounted Feed Hopper

A PRODUCT OF THE MATERIAL HANDLING EQUIPMENT FAMILY

Peerless offers heavy duty belt feeders for the mining, aggregate and construction industries. From standard pre-engineered to one-of-a-kind solutions, we have the experience to solve your unique needs.

Material handling equipment with flat roller belt feeders is typically used for loading and metering material onto a conveyor. The skid mounted feed hopper is a reliable method for conveying materials up to 3" top size or smaller. It's capable of up to 200TPH.

Screen materials

- Rock
- Sand and gravel
- Coal
- Clinker or raw materials at a cement plant
- Truck loading
- Plant loading
- Rail car loading
- Granular soils
- Other non-compacting bulk materials



Benefits

- Rugged, skid mounted design
- Wide target
- Mechanical gate or optional VFD control
- Well-suited for materials less than 3"



Heavy duty components used on drive system – 5HP motor and TAIL reducer



Winged tail pulley and 12" belt takeups



Skid mounted feed hopper with hydraulic grizzly and bulkhead, to use on various applications and job sites

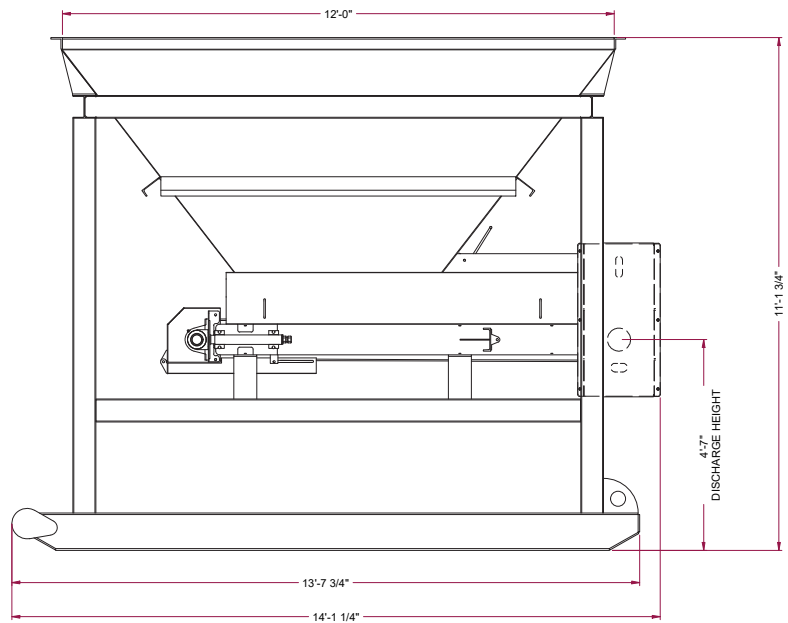


Custom Solutions to Unique Challenges

SKID MOUNTED FEED HOPPER

Standard Specifications

- 1/4" steel 12' x 10' hopper with 15 cubic yards / 20 ton capacity
- 36" wide x 9' long belt feeder conveyor with a discharge height of 4'-7"
- Up to 200 TPH capacity at a belt speed of 50 feet per minute
- 5HP, 1800 RPM 3 phase electric motor with a Dodge torque arm reducer
- 10" diameter, 3/8" herringbone rubber lagged head pulley and 10" diameter drum type tail pulley
- 1045 shafts turned and polished
- Dodge SCM pillow block bearings
- Manual screw type belt take-ups
- 3 ply 3/16" x 1/16" conveyor belt with vulcanized belt splice
- SEMA B 4" diameter idlers on 7" spacings
- Heavy duty I-beam type frame
- Estimated weight 8,200 lbs.
- Complete feed hopper is primed and painted Peerless Tan



Optional Equipment

- Hopper extensions
- Manual grizzly
- Hydraulic operated grizzly
- Electrical switchgear with fixed speed drives or variable frequency drives (VFD)

Contact us at (913) 233-3854 or sales@peerlessemc.com to get started.




ABOUT PEERLESS

Peerless solves unique challenges for our customers by supplying material processing and handling equipment—including quarry, asphalt, aggregate, frac sand, and mining. Peerless designs a variety of stock and custom products, ensuring consistent delivery of engineered solutions. Experienced and innovative, the Peerless team is focused on quality and listening to customers' specific needs.

© 2019 Peerless Engineering and Manufacturing Co.

www.peerlessemc.com

Kansas City office (913) 233-3854
Request a quote (816) 381-0635
sales@peerlessemc.com

 Peerless Engineering and Manufacturing Company